

Premium flat 167 Twinson (P 9576)

(formerly O-Wall)

System properties

deceuninck

2.1 Profile overview

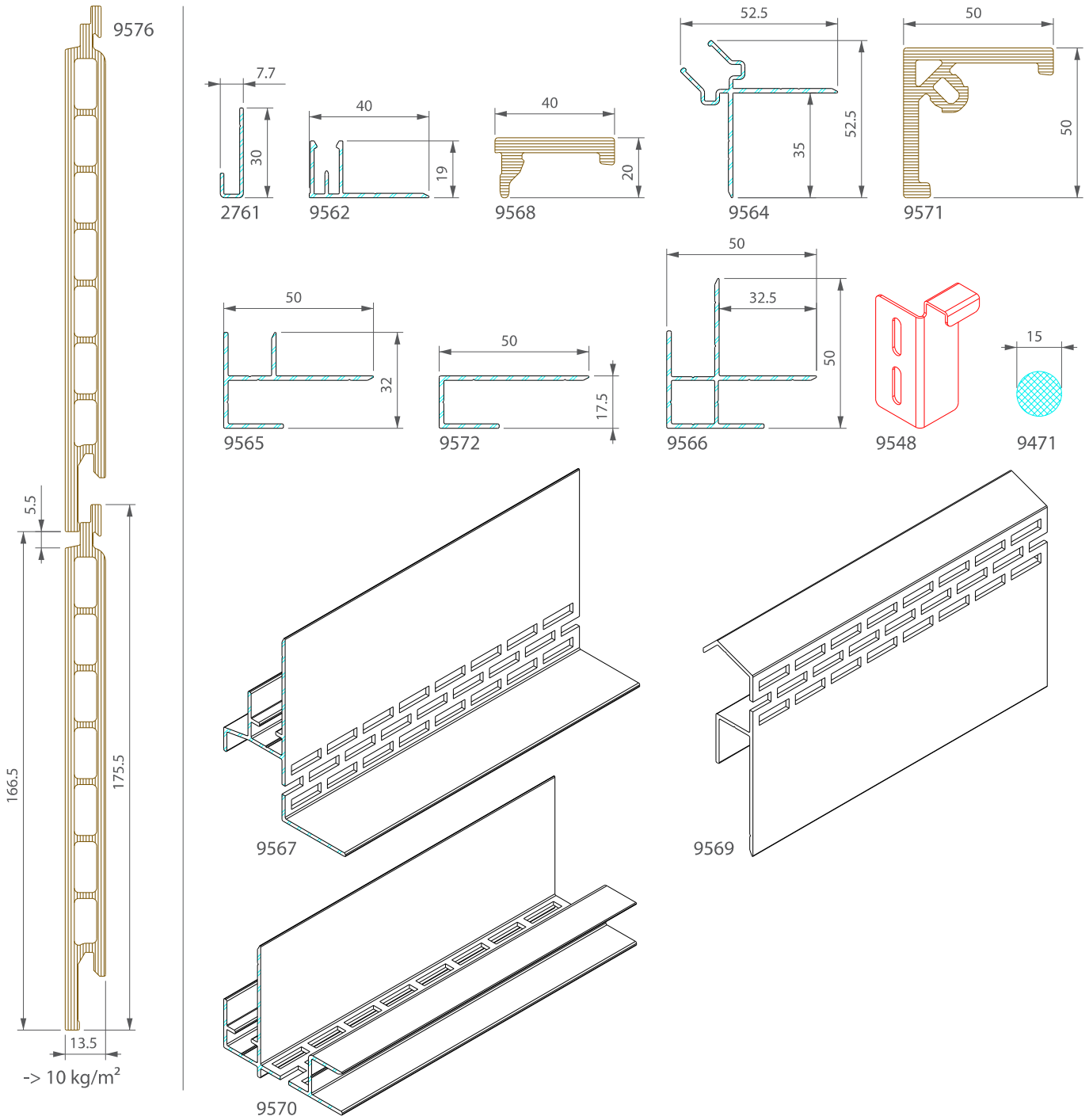
2.2 Length

2.3 Product properties

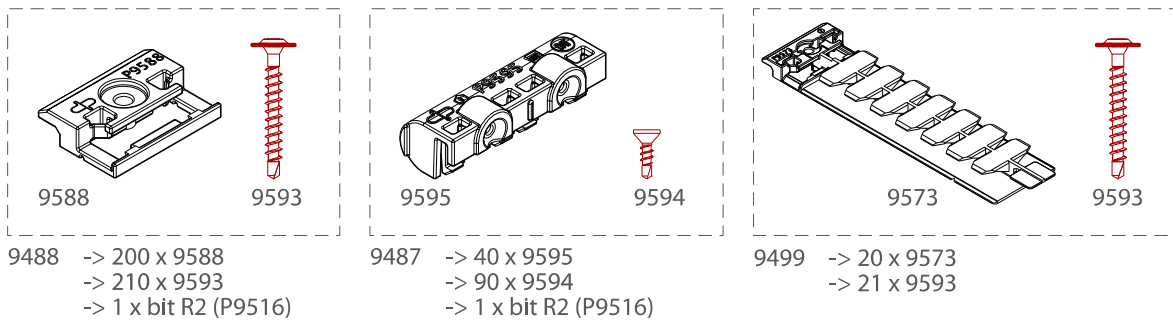
2.4 Technical file

2.5 Certificates

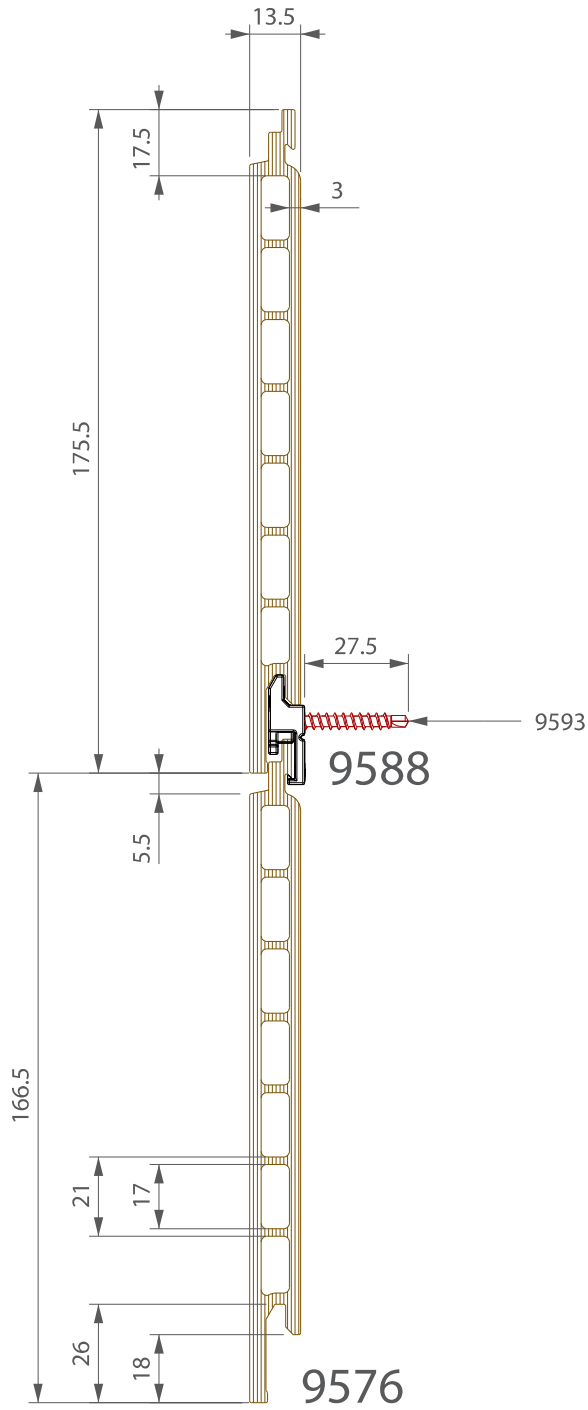
2.1 Profile overview



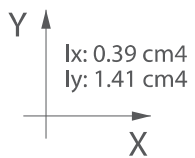
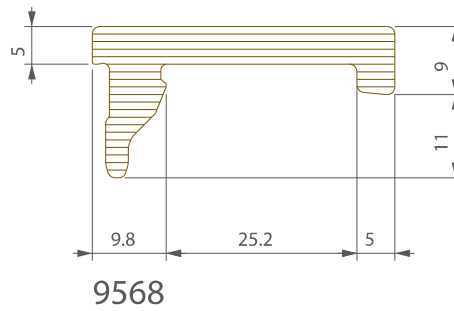
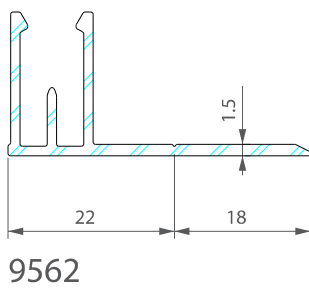
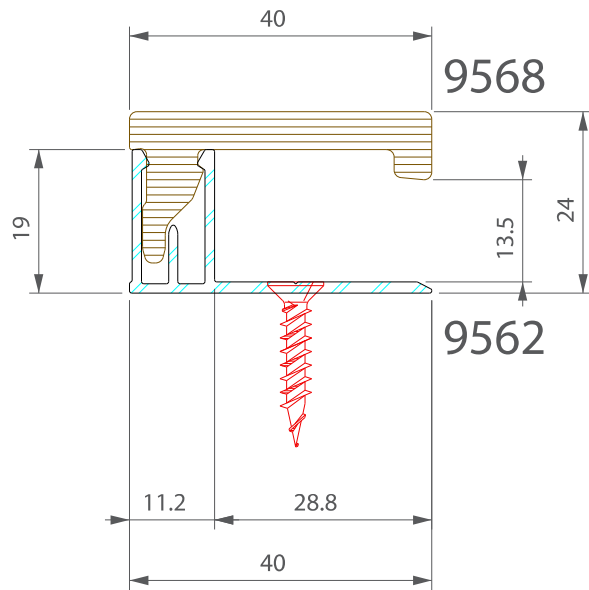
Kits:



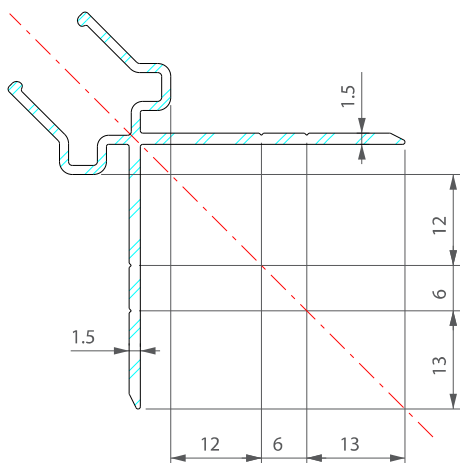
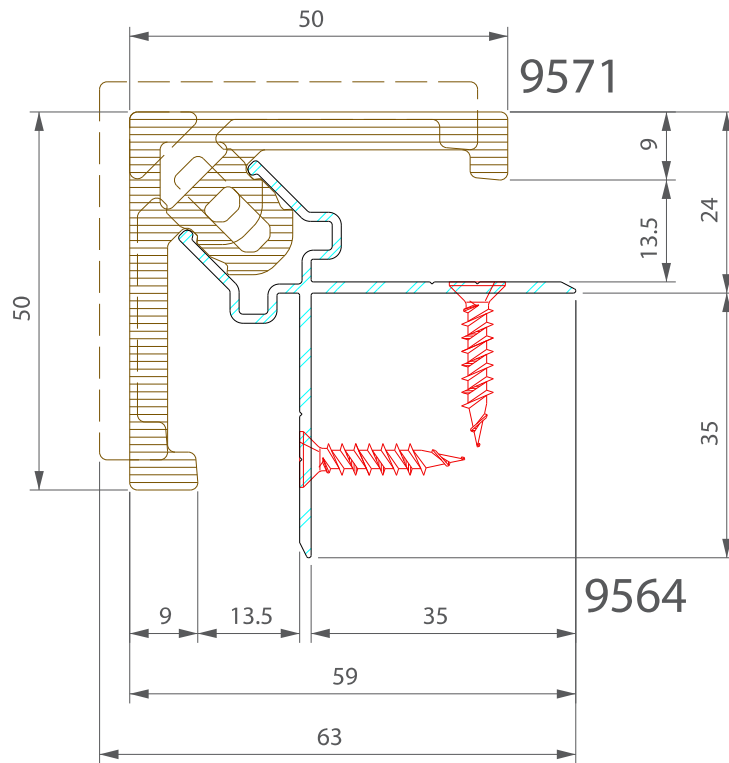
2.1.1 Profile sheet P9576:



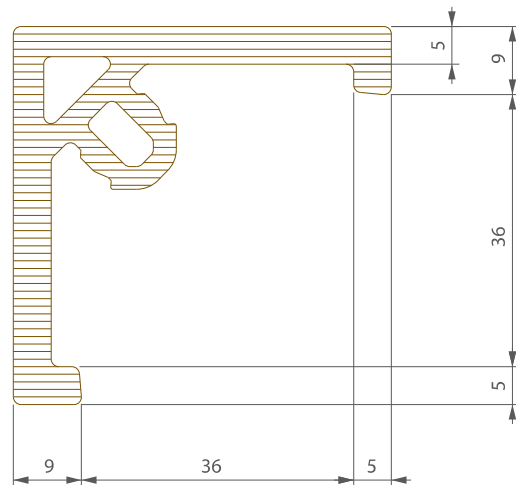
2.1.2 Profile sheet P9562/P9568:



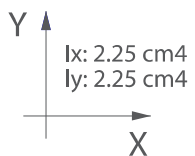
2.1.3 Profile sheet P9564/P9571:



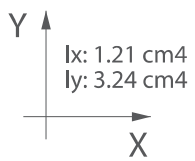
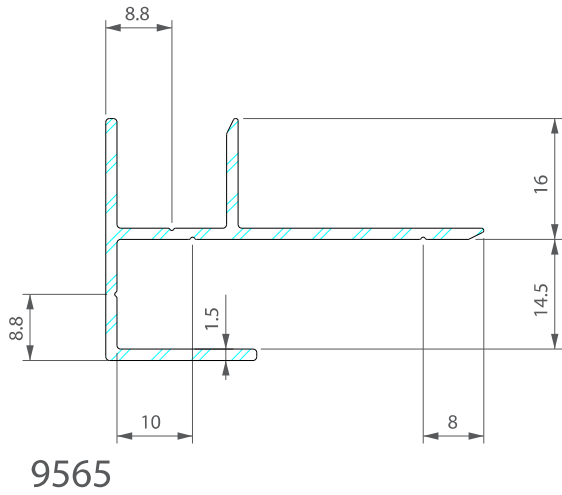
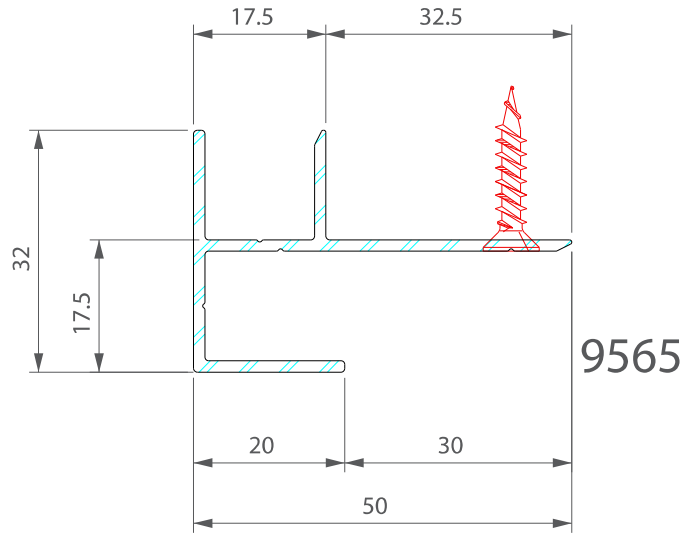
9564



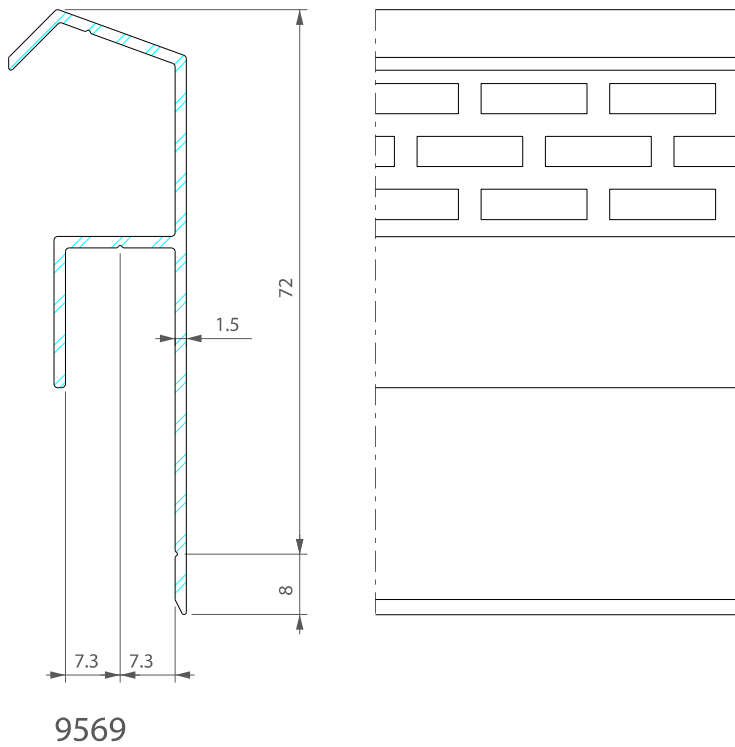
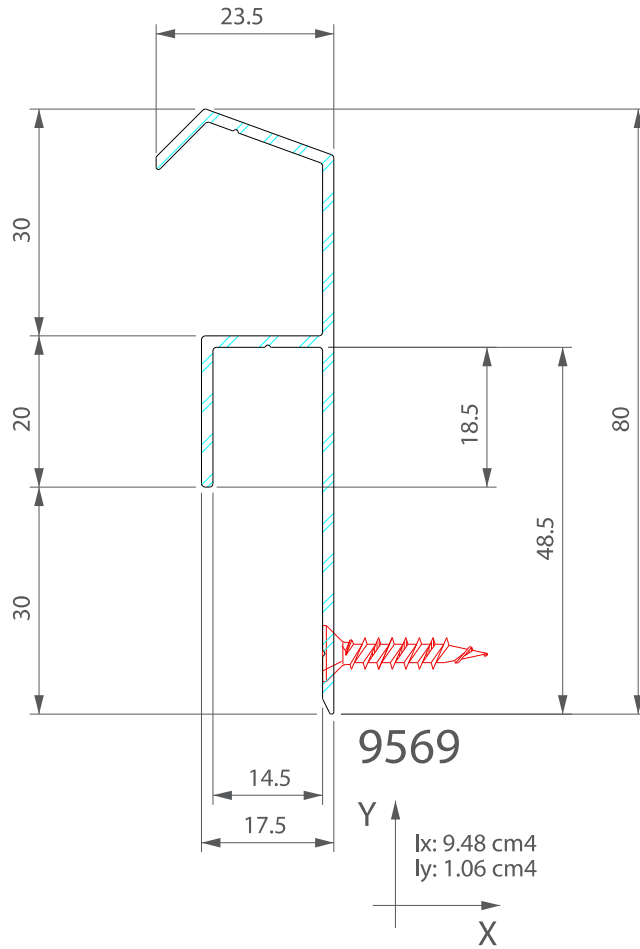
9571



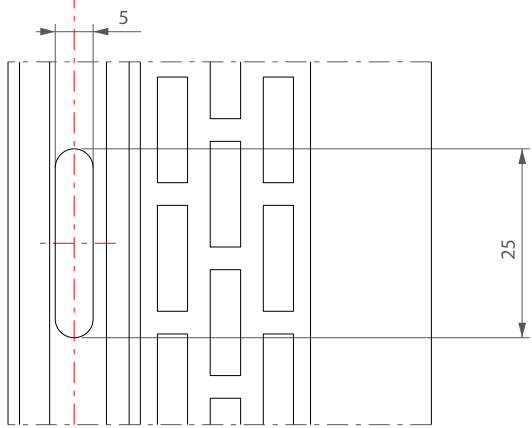
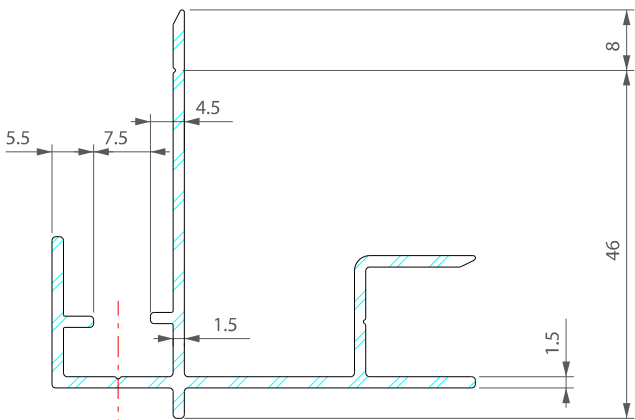
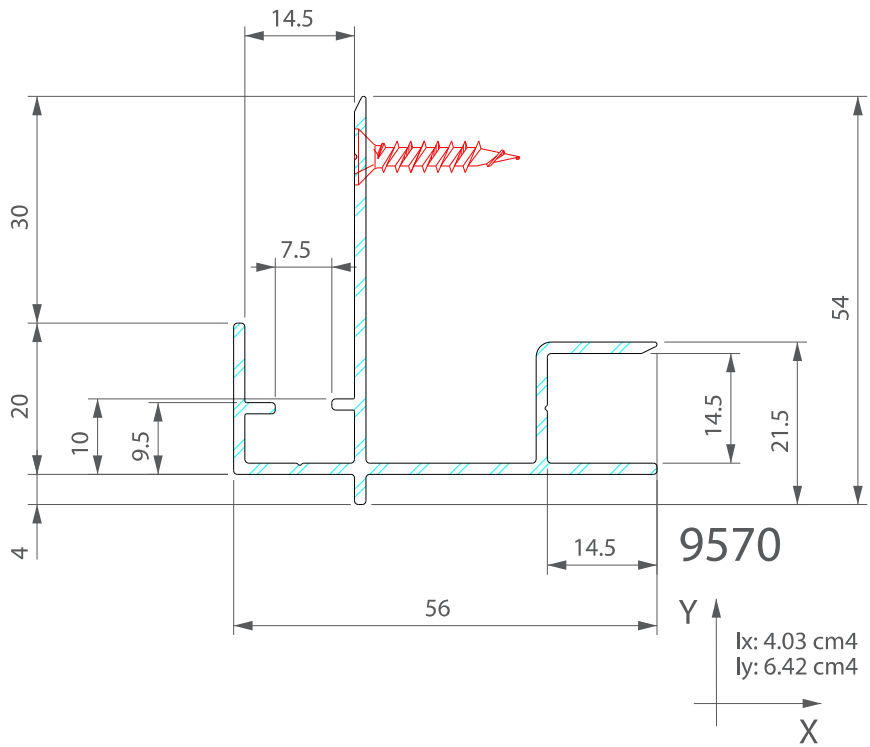
2.1.4 Profile sheet P9565:



2.1.6 Profile sheet P9569:

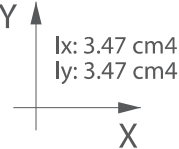
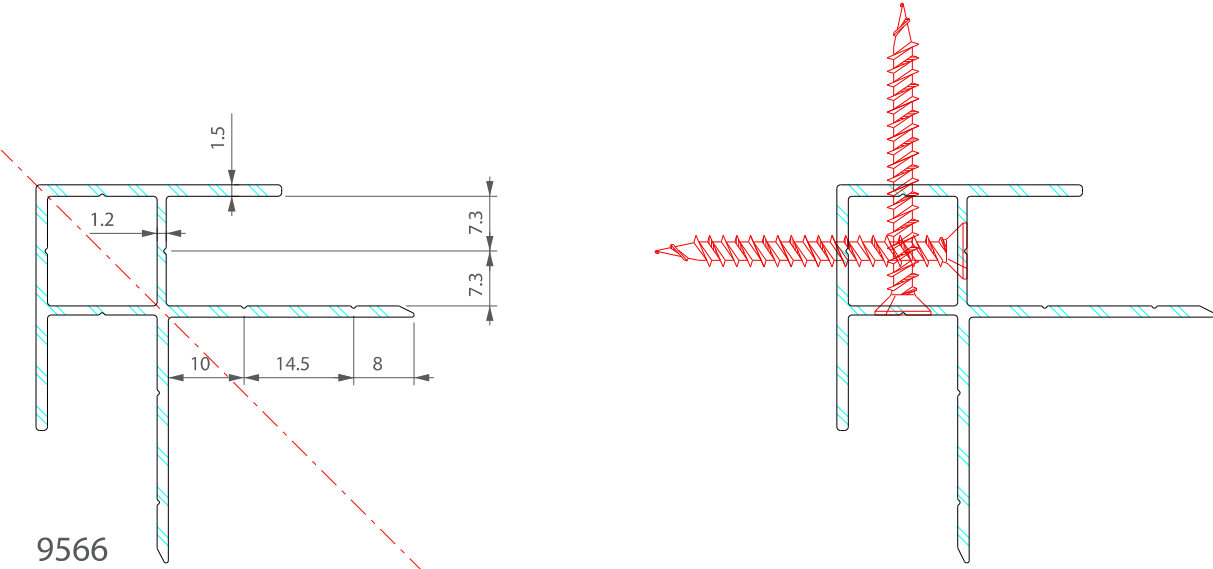
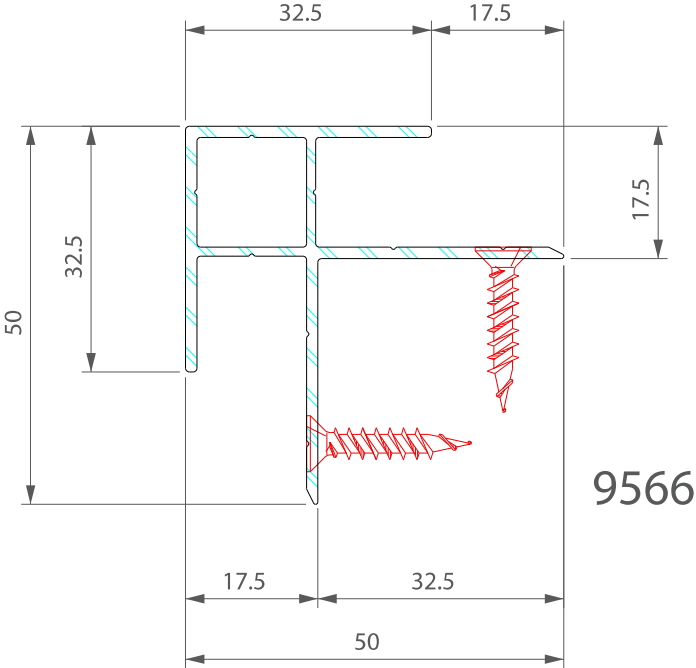


2.1.7 Profile sheet P9570:







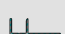

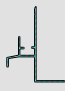





9570

2.1.8 Profile sheet P9566:



2.2 Length

COLOUR	9576	9568	9571						
									
502 liquorice black	3 m / 6 m	3 m	3 m						
504 bark brown	3 m / 6 m	3 m	3 m						
505 turf brown	3 m / 6 m	3 m	3 m						
COLOUR	2761	9562	9564	9565	9566	9567	9569	9570	9572
									
00 aluminium	3 m	-	3 m	-	-	-	-	-	-
12 black anodized	-	3 m	-	3 m	3 m	3 m	3 m	3 m	3 m
65 silver anodized	-	3 m	-	3 m	3 m	3 m	3 m	3 m	3 m
66 brown anodized	-	3 m	-	3 m	3 m	3 m	3 m	3 m	3 m

2.3 Product properties

Looks and functionality:

A building's appearance is determined in part by its facade. With Deceuninck premium flat 167 Twinson, looks and functionality go hand in hand. Flat 167 outdoor wall covering can be part of a total insulation concept or simply function as finish.

Flat 167 covering is not only suitable for cladding outdoor walls, but also bay windows, dormers and eaves. The result is always a pleasure to behold.

- **Integrated ventilation:** With a ventilated - and thus breathing - outer wall, air circulation ensures the efficient discharge of moisture and heat, making possible a healthy indoor climate.
- **Can be combined perfectly with insulation:** Thanks to its limited thickness, flat 167 is suitable not only for new construction but also for renovations. A well insulated outdoor wall contributes to lower heating costs and reduced CO2 emissions, for new constructions as well as renovations. Thus, it is an energy and cost-saving solution.
- **Quick and easy to install:** The tongue and groove system, and the specially developed patented concealed clips make it quick and easy to install the outdoor wall covering.
- **Simple to work with and process:** No special tools are needed for installing and processing the wall covering. Standard tools are all that is needed. Flat 167 is available in 3 and 6-metre lengths.
- **Robust:** Exceptionally strong and robust thanks to its double-walled construction.
- **Down to the last detail:** For a perfect finish, a complete assortment of profiles has been created.
- **Unique material:** Thanks to Twinson's unique composition, flat 167 outdoor wall covering has all the advantages of the materials from which it is made: splinter free, durable, water resistant, natural look...

2.4 Technical file

Deceuninck Twinson products meet strict quality standards and are manufactured in accordance with established ISO 9000 quality management system procedures.

		prEN 15534-1	based on	specific property	unit	value
physical properties	density	§ 6.1	ISO 1183-1/A		kg/dm ³	1.42 ± 0.05
	moisture content	§ 6.2	ISO 16979		%	<0.2
	HDT	§ 6.3	ISO 75-1/A		°C	70 ± 2
mechanical properties	vicat softening point	—	ISO 306/B50		°C	82 ± 2
	impact resistance	§ 7.1.1	ISO 179-1fU	charpy	kJ/m ²	> 5
	tensile properties	§ 7.2	ISO 527-2/B	tensile modulus	MPa	5000 ± 10%
				tensile strength	MPa	> 35
	flexural properties	§ 7.3.1	ISO 178	strain at break	%	1.3 ± 10%
flexural modulus				MPa	5000 ± 10%	
bending strength				MPa	> 55	
durability	artificial weathering (300 hours WQM)	§ 8.1.1	ISO 4892-2	bending at break	%	1.5 ± 10%
				discoloration	dE	< 20
	moisture resistance (28 days)	§ 8.3.1	EN 317	impact retention	%	< 20
				mass increase	%	< 8
				length increase	%	< 0.6
				width increase	%	< 1.5
				thickness increase	%	< 4
thermal properties	linear thermal expansion (-20 °C ... +60 °C)	§ 9.1	ISO 11359-2	length direction	10 ⁻⁶ K ⁻¹	20 - 25
				width direction	10 ⁻⁶ K ⁻¹	45 - 50
				thickness	10 ⁻⁶ K ⁻¹	55 - 65
burning behaviour	thermal conductivity	—	ISO/CD 22007-2	room temperature	W/m.K	0.2 - 0.3
	oxygen index	§ 10.1	ISO 4589-2		%	> 20
	epiradiator	—	NF P92-501		class	M3
			NBN S21-203		class	A4
	kleinbrenner	—	DIN 4102-1		class	B2

date: 01/12/2011
version: v3

PRODUCT RELATED CHARACTERISTICS

		prEN 15534-1	based on	specific property	unit	value
mechanical properties	impact resistance	§ 7.1.2.1	EN 477	falling mass	J	6 - 7
	durability	natural weathering (1 year Bandol)	ISO 877-2	discoloration	dE	< 20
impact retention				%	< 20	
boiling test		§ 8.3.3	ISO 1087-1	bending strength retention	%	< 20
				mass increase	%	< 8
thermal properties	heat reversion	§ 9.2	EN 479	length increase	%	< 0.6
				width increase	%	< 1.5
	heat build-up	§ 9.3	ASTM D4083	thickness increase	%	< 4
	single flame source	§ 10.2.1	ISO 11925-2		°C	< 40
	single burning item	§ 10.2.2	EN 13823		pass	OK
burning behaviour					class	D s2 d0

date: 01/12/2011
version: v3